



ZR6FD Jubilee logo!

drukwerk papier / paper
printing ZS6KO
ZS6BAQ

WATTS

03 - 2005
Year 75+3m

Monthly newsletter of the Pretoria Amateur Radio Club
Maandelikse nuusbrieff van die Pretoria Amateur Radio Klub.

✉ PARC, PO Box 73696 Lynnwood Ridge 0040, RSA

web <http://www.qsl.net/zs6pta>

Bulletins : 145,725MHz 08:45 Sundays / Sondag

Relays : 1840, 3700, 7066, 10135, 14,200 MHz
depending on season

✂ Swapshop: After bulletin 2m and 40m (also on-line)

SARL HF Velddag : PARK se ZR'e in aksie - ZR6JHB en ZR6SW (met verversings)



In this issue

- Editorial
- Club history
- Minutes of Meeting- Jan '05 -Notule van Vergadering
- Member news and diary
- Snippets
- Technical
- Page eight

in hierdie uitgawe

- Redaksioneel
- Klubgeskiedenis
- Ledenuus en dagboek
- Brokkies
- Tegnies
- Bladsy agt

Next Meeting

Date: 10-03-2005
Time: 19:30 for 20:00
PARC Clubhouse,
South Campus,
University of Pretoria.
SE cnr University and
Lynnwood roads.

Management team / Bestuurspan Aug 2004- Aug 2005:

Chairman, SARL liason, WATTS newsletter	Hans Kappetijn	ZS6KR	hans@qrv.co.za	012-333-2612 072-204-3991
Vice Chairman, P.R., Fleamarket, RAE, Projects	Almero Dupisani	ZR6RY	almero.dupisani@up.ac.za	012-567-3722 082-908-3359
Sekretaris Tydrenne, Jakkalsjag	Johan de Bruyn	ZR6JHB	johandbr@absa.co.za	012-803-7385 082-492-3689
Treasurer Clubhouse, Database	Richard Peer	ZR6CK	peerrk@safrica.com	012-333-0612 082-651-6556
Klubfasiliteite, Sosiaal, Vlooiemark	Willie Greyling	ZR6WGR	willie@up.ac.za	082-940-2490
Webmaster Projects	Sander Wissing	ZR6SW	zr6sw@qsl.net	012-661-4853 083-607-4549
Awards Historian	Tjerk Lammers	ZS6P	zs6p@iafrica.com	012-809-0006

Co-opted / Geko-opteer:

Auditeur	Egbert Begeman	ZS6AZG	begeme@unisa.ac.za	012-347-1905
Tydrenne	Johann de Beer	ZR6YV		011-918-1060
Morse testing	Bill Ingleson	ZS6KO		012-331-2327
Tegnies	Johan Lehmann	ZR6ANF	jlehmann@csir.co.za	083-300-8677
Repeater Custodian	Hans Gurtel	ZR6HVG	adele123@absamail.co.za	082-940-0623
Repeater Maintenance	Willie du Plessis	ZS6AEA	hesterdup@webmail.co.za	012-565-5555 083-653-2101

Editorial

Reading the mail on the HF bands and 2m regarding the new ZR privileges, it was good to hear the hearty welcome they all received. A few uninformed OM's were bewildered and one ZS even phoned me personally to report what he thought was a contravention of Regulations. The information age must have bypassed these persons or, being ZS's, they were never interested as it did not affect them.

It is important that all amateurs be up-to-date on current amateur affairs and use their voice with the SARL - and when Lawmakers invite comment on draft-resolutions - *while matters that affect Amateur Radio are in progress* - not after the fat lady has sung.

A great milestone has been reached on 6 Feb. through much hard work by the SARL President and his Committee to steer ICASA and our Lawmakers in the right direction and final promulgation in a relatively short time.

Redaksioneel

Toe ek die briewe lees op die HF bande en 2m betreffende die nuwe ZR voorregte, was dit goed om te hoor dat almal 'n hartelike welkom te beurt geval het. 'n Paar oningeligte OK's was nogal in die war en een ZS het my selfs gebel om te rapporteer wat hulle gedink het was teen die Regulasies. Die informasie-eeu het hulle seker verby gegaan of, as ZS'e, nooit belang gestel nie want dit sou hulle nie raak nie.

Dit is belangrik dat alle amateurs op datum bly met amateur aangeleenthede en hulle stem gebruik by die SARL- en wanneer Wetgewers kommentaar nooi op konsep-wetgewing - *terwyl sake wat Amateur Radio raak gaande is* - nie na die dik tante gesing het nie.

'n Groot mylpaal is behaal op 6 Feb. deur die harde werk van die SARL President en sy Komitee om OKOSA en ons Wetgewers in die regte rigting te lei en promulgasie binne 'n betreklike kort tyd te bewerkstellig.



ICOM 7000

To replace the 706MKIIG?

The new rig is a little smaller than the 706, with a color screen, clock, voice recorder, larger backlit pushbuttons, and 508 memories. IF DSP and PBT provide improved noise blanking and eliminate the need for accessory filters. A microphone with 10 buttons is included as standard equipment. UHF output is now approx. 35W.

Jubilee Year history page

ZS 75 PTA

1930-2005

(file comitees.fw3/93-07-10)

1929 ... Pretoria club started ???!

1931 (in QTC Mar 34: 'Pta club' publishes in 'Scarlet Runner')
 1933 (C Ross ZU6C starts writing 'Pta Notes' in QTC)
 ~34/35 (ZS6AG = pta club callsign)

1934 (in QTC Jun 34: Pta section of SARRL approved)
 Chair ~~Wally Browning ZU6E~~

1935-05-06 (Pretoria SARRL division) 10 full members, 10 ass members
 end of year balance: #5-4-2

Chair Wally Browning ZU6E
 Vice W H Lister ZS6AF
 Secr Frazer (FA) Alexander ZU6B
 Treas Brian Scallan ZU6M licenced 1929
 A P vd Merwe

1936-01-19 end of year balance: #5-18-10

Chair W H Lister ZS6AF
 Vice A P vd Merwe
 Secr F A Alexander ZU6B
 Treas Brian Scallan ZU6M
 T A Laxton
 John I Erasme ZT6E licenced Sep 36

1937-02-21 end of year balance: #7-12-9

Chair Brian Scallan ZU6M
 Vice F A Alexander ZU6B
 Secr J I Scheepers ZS6Y
 Treas Hobbs
 F A Robinson
 John I Erasme ZT6E
 A W Jones

1938-01-30 (Fountains Kiosk) end of year balance: #9-7-6

Chair Brian Scallan ZU6M
 Vice J I Scheepers ZS6Y
 Secr F A Robinson
 Treas Muir
 Reeves
 F A Alexander ZU6B
 A W Jones

1939-02-19 (Fountains Kiosk) end of year balance: #9-7-4

Chair F A Alexander ZU6B
 Vice Brian Scallan ZU6M
 Secr A W Jones
 Treas Muir
 Hobbs
 Denis M Brown ZS6EK(exZS4X)
 Leon Verheijen ZS6GF(exZS5BG)
 Robinson

1940-01-21 (Sunday 10h00 at Fountains Kiosk)

Chair Brian Scallan ZS6DU
 Vice F A Alexander ZU6B
 Secr H P Beyers
 Treas Muir
 Hobbs
 J I Scheepers ZS6Y
 Odendaal

Minutes of the monthly club meeting of the Pretoria Amateur Radio Club held at the South Campus of the University of Pretoria on 13 Jan. 2005

Welcome: Hans ZS6KR declared the meeting open and welcomed all who attend.

Attendance: The meeting was attended by 29 members and two visitors, Mary Ingleson sw of Bill ZS6KO and Martie,sw of JB ZR6YV.

Apologies: were received from Pieter ZS6PVW, Magda ZS6MVW, Lizette ZR6LZT, Malcolm ZR6OLM, Lynette ZR6LHT, Hal ZS6WB, Martin ZS6BQP, Almero ZR6RY and Peter ZR6PWT.

Personal Matters/Lief en leed: Bertha sw of Hans ZS6KR is still in hospital.

Matters arising from previous minutes: None.

Minutes of previous meeting: The minutes of the previous meeting as published in Watts were approved. Proposed by Richard ZR6CK and seconded by Brian ZR6BJS.

Club Activities:

Rallies/Tydrenne: JB ZR6YV reported that the club has been involved with Rallies since 1956 and that the well known author Geoffrey Jenkins wrote about Radio Amateurs in one of his books.

The first Rally of the year is the Belfast Rally which is scheduled for 19 February 2005. The event will be run over 7 stages and the total race distance is 91km.

DF Hunt/Jakkalsjag: Johan ZR6JHB reported that the Foxhunt for Saturday 12 February is cancelled due to the SARL HF Field Day Contest.

Social/Sosiaal: Willie ZR6WGR reported that Almero ZR6RY plans a Fleamarket for the 7th of May 2005 and that there will be a social event afterwards.

Johan ZR6JHB reminded the meeting that this will clash with the Total Rally and that many members are going on this event.

Financial Report/Finansiele verslag: Richard ZR6CK reported that the club's finances are in good shape.

Projects/Projekte: Sander ZR6SW – Upcoming UHF/VHF Competition early in March. Need people to participate.

Repeater/Herhaler: Pine ZS6OB – Busy investigating interference on 2m and on 70cm. Ask members to be patient. Sub-audible tone to installed on repeater – meeting had no objection.

Fleamarket/Vlooiemark: Willie ZR6WGR – Voorgestelde datum van vlooiemark bots met Total Tydren – sal ander datum bepaal vir vlooiemark.

Ham Diary/Dagboek:

Feb. – 12-13 – SARL HF field Day

12-13 – CQWW RTTY WPX Contest

19-20 – ARRL International DX CW Contest.

26-27 – CQ WW 160m SSB Contest.

Closing date logs SARL Field Day and Pears VHF/UHF Contest.

Mar. – 05-06 ARRL International DX Phone Contest.

06 DARC 10m Digital Contest.

General/Algemeen:

Callie ZS2CWP het 'n trofee geskenk vir Satelliet werking.

HF Trophies /Merit Awards:

HF awards – ED ZS6UT – Best HF Operator.
Bill ZS6KO – Best CW Operator.

Merit Awards – Johan Lehman ZR6ANF
Willie du Plessis ZS6AEA

Molly Peer ZR6MOL
van Wyk familie
Newton family

Assesment ZS6 licences:

Tjerk ZS6P - Technical problem – National body not yet appointed – SARL is addressing the problem.

Presentation/aanbieding: Herman ZS6SN – mysteries of "Dowsing"

Next meeting/Volgende vergadering: 10/03/2005.

Closing/Sluiting: Die vergadering het 21h20 verdaag.

Birthdays

Verjaarsdae

Maart



March

Anniversaries Herdenkings

01 Elsa, dogter van Johan ZR6ANF en Elmarie ZR6AXF
01 Albert, seun van Johan ZR6ANF en Elmarie ZR6AXF
02 Carlos ZS6AJW
05 Martha Louisa, LV van Attie ZS6REY
08 Thierry, son of Robert ZS6ARC
10 Gary ZR6GK
11 Kaye, daughter of Melvyn ZS5MF
12 Rita, SW of Vitor ZS6VG
16 Jeanne ZR6GPC, SW of Sander ZR6SW
21 Frances ZR6AUT
21 Martie, LV van "JB" ZR6YV

13 Bernice en Pieter ZR6KSA (1)

22 Julian ZS6AOU
22 Ivan ZS6CCW
25 Doreen ZR6DDB, LV van johan ZR6JHB
27 Colin, son of Bernie ZS6ANU
30 Joey ZSBBL, LV van Jan ZS6BBK
31 Herman ZR6HBA

Nuwe Lede | New Members

A hearty welcome to: Peter ZR6AJS at Hartebeespoortdam

Sick Parade | Krukkelys



Bertha, LV van Hans ZS6KR sterk nou aan in die Monta Med verpleeginrigting
Phil, SW of Craig ZR6REV was recently relieved of her appendix.

PARC Diary | Dagboek

Ma	05-06 ARRL International DX SSB Contest	Apr	04 Schools open
	06 DARC 10m Digital Contest		07 SARL 80m QSO Party (1 st leg)
	10 PARC Meeting		09 SARL AGM
	11-13 SARL V/UHF Contest		10 SARL Hamnet 40m contest
	12-13 RSGB Commonwealth Contest (BERU)		14 PARC Club Meeting
	18 Schools close (inland)		18 World Amateur Radio Day
	25 Good Friday		27 PARC Fleamarket
	26-27 CQWW WPX SSB Contest		
	28 ` Easter Monday/Family Day		

Snippets | Brokkies

- **Motorsport bystand:** Johan ZR6JHB het 'n SAM Merit Award ontvang vir aktiwiteit in 2004.
- **Motorsport bystand:** Die PARK was betrokke met kommunikasie bystand sedert 1955. OK Bill ZS6KO onthou dat hy betrokke was vanaf 1956. Johann ZR6YV trek nou al by 25 jaar. Hierdie huidige jaar het 11 byeenkomste op die boeke. Die tydren op 6-7 Mei sal ongeveer 30 amateurs betrek. Danksy die professionele en tegniese vernuf van ons toegewyde lede is motorsport in Gauteng en die PARK sinoniem.
- **eQSL's:** Your editor found 386 eQSL's addressed to him from as far back as 1997 at www.eqsl.cc. These "cards" are not accepted for DXCC but you can design your own card on-line and at the click of a button return a QSL with a comment as well as an automatic email notification to the original sender if you think that is necessary (possibly requesting a real QSL card). Registering on-line is easy. The system is at least useful for QSLing where both stations do not need cards for award purposes and so save yourself money and save Bureaus the trouble of handling common QSL card hardcopy bulk postings.
- **QSL printing:** Try an enquiry at Sharky's Copycentrum. Nagtegaalstraat 346 Silverton 082-562-7374.
- **Print Quality of WATTS:** Members receiving hardcopy versions of WATTS by snailmail may expect varied print quality especially visible on photographs. This is due to whether better quality printing is sponsored by R50.00 for a particular month or not. Your Committee have done this out of their own pockets in the past but cannot do this indefinitely for the ±47 members that still receive hardcopy. Some 85 members plus 8 spouse- and dependant members are now on e-mail and enjoy excellent reproductions. Some 42 Clubs and the State Library also receive our newsletter by e-mail. If you are not yet on our e-mail list, please inform this Editor asap.

SARL Field Day 12-13 Feb

Arrangements were made at the last moment at the cost of our usual foxhunt. OM Bill and Johan set up camp at Roodeplaat Dam and antennas were deployed in and in-between the trees. Solar panels charged the batteries though it was pretty overcast. The Saturday saw no less than six visitors; most with their SW's; Hans ZS6KR, Pierre ZR6PJH, Sander ZR6SW, Ivan ZS6CCW, Mike ZS6AFG and Roy ZS6MI. Hans operated 40m most of the afternoon and the ZR's soon got the hang of it and gave it stick on the other available radios at various times. OM Bill and Johan stayed overnight and worked several other bands on CW and SSB up till midday Sunday. Sander came back for the morning. The logs were processed by Hans and it seems we can claim a very respectable 5035 pts. Well done guys!



The best part of ZS6KR



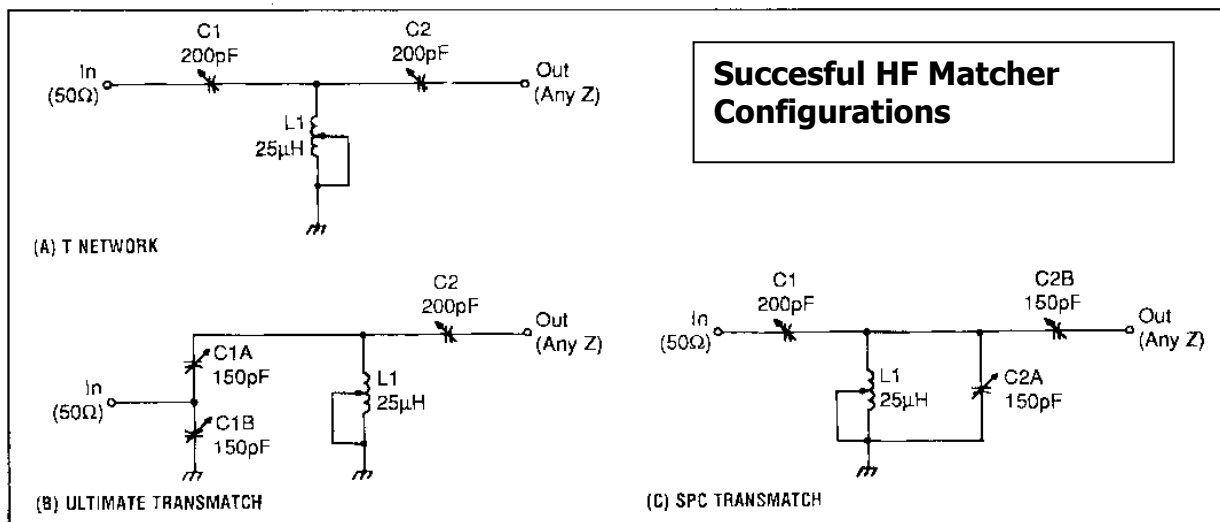
ZR6JHB en ZR6PJH onder die wakende oog van ZS6KO



ZS6CCW came to enjoy our company...



ZR6GPC en ZS6KR



COPING WITH LEAD FREE SOLDER and SOLDERING

Extract from May 2004 Everyday Electronics submitted by Bermie Crockford ZS1BW

One of the biggest problems envisaged with the new soldering techniques is that of lead contamination. This contamination applies even with TSC use that, so far, has been selected as the replacement of 60/40 solder. Contaminated joints have a number of problems of which the worst is the resulting strength of the joint. A 1% lead contamination can reduce the final strength by 75%. At this time, most lead contamination will come from the components and P.S.B. finishes and from tip cleaners. Unfortunately we will have to live with lead based components for some time. Making a joint with TSC, then using a solderwick can reduce the lead level. The joint can then be remade with fresh TSC. This may be worthwhile in critical areas where reliability must be assured. For the purist, lead contamination for printed circuit board coatings can also be diluted with the solderwick / TSC remake approach. For most projects this would only be recommended where a joint is to be mechanically or thermally stressed. A soldered switch anchor/contact or power device would need careful inspection.

In tests carried out using rosin cored TSC to join several new and clean components resulted in some very adequate joints.

It will be difficult to avoid frequent tip cleaners when using lead free solder. So that you maintain a clean lead free tip on the iron. The extended time at higher temperatures, coupled with more chemically reactive environment, can lead to rapid coating of the iron tip with a tough varnish like organic film. This film can only be removed by the somewhat aggressive use of tip cleaner like the Multicore TTC product in a 15g tin. The tip is then cleaned with a slightly moist rather than a wet sponge, because water attacks the iron coating. Any weakness in the iron coat will lead to ingress of tin rich solder, which rapidly dissolves the copper core of the soldering iron bit. Once the tip is well cleaned and tinned some TSC solder wire can be added and wiped off a couple of times to dilute the lead contamination from the tip cleaner. More aggressive, last resort, tip cleaners are based on copper or iron wool in a small container, or a home-made version using kitchen stainless steel scouring pad in a small bottle. Pushing the iron tip into this will readily defeat the varnish and any debris falls to the bottom of the container.

By far the most popular soldering irons are unregulated. The heater usually 12 watt or 25 watt, slowly feeds its energy into the copper mass of the bit, taking some 90 seconds to reach working temperature. Simpler temperature controlled irons can suffer from a time delay of several seconds between the demand signal for more heat and its delivery. This can make soldering sluggish with higher melting lead-free solder. More sophisticated control systems (e.g.JBC advanced stations) have a rapid recovery time of less than a second and are a pleasure to use. When the tip is applied to the surface to be soldered, heat is dumped from the bit, aided by the excellent thermal conductivity of its copper core. The temperature of the work piece and the solder rapidly rises to the solder melting point. At this point the human system operates. This entails watching the amount of heat applied to the work piece, the quality of solder flow etc. Solder joints must be made quickly, usually under three seconds. At this point it will be worth doing a lot of practice to become familiar with whatever system you choose to use.

The changeover to lead-free is likely to take time and we must get used to dealing with increasingly mixed technology. Although our component stock, and indeed most devices purchased at present are likely to be aimed at the leadbased industry, we can switch to lead-free solder now. With a little care, good results can be made with lead-free TSC solder.

Like every other aspect of electronics, the art of soldering will get more complex and cannot be taken for granted. For information on conventional soldering techniques, read Alan Winstanley's well-acclaimed article on the subject, "Basic Soldering Guide". This is available for free download from www.epemag.wimborne.co.uk

Famous ladies' famous quotes

A man has to do what a man has to do – a woman must do what he can't...	Rhonda Hansome
I have yet to hear a man ask for advice on how to combine a marriage and career...	Gloria Steinem
If high heels were so wonderful, men would still be wearing them...	Sue Grafton
When women are depressed they either eat or go shopping – men invade another country...	Elayane Boosler
Thirty-five is when you finally get your head together and your body starts falling apart...	Caryn Leschen
Behind every succesful man is a surprised woman...	Maryon Pearson
I am a marvellous housekeeper – everytime I leave a man, I keep his house...	Zsa Zsa Gabor

CHEAP HEADSET — Maybe you can spot this item in our shops as well. The price should translate to about R50.00



GUINNESS RECOGNIZES HI-SPEED KEY OPERATOR

Guinness World Records Ltd has recognized the high-speed telegraphy achievement of Andrei Bindasov, EU7KI.

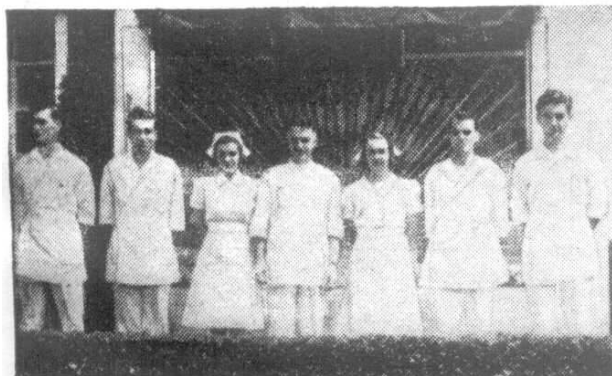
"On 6 May 2003 Andrei Bindasov (Belarus) transmitted 216 marks of mixed text per minute during the 5th International Amateur Radio Union's High Speed Telegraphy World Championship in Belarus," the Guinness database listing states.

Witnessing the accomplishment in Minsk were HST International Referee Oscar Verbanck, ON5ME, Region 1 Executive Committee member Panayot Danev, LZ1US, and IARU Region 1 HST Coordinator Oliver Tabakovski, Z32TO.

He also sent 271 letters per minute and 230 figures per minute during those phases of the 2003 HST competition.

Bindasov says he has received the official certificate from Guinness.

Why does the Air Force need expensive new bombers? Have the people we've been bombing over the years been complaining?
(George Wallace)



RADIO HOSPITAL GIVES SUPER SERVICE (1940)

If you see an ambulance with men and women clad as doctors and nurses draw up at the house next door, don't immediately dash around with a mess of calves' foot jelly—it may be the service wagon of Ernest C. Augsten, who runs a "radio hospital" at Hartford, Conn. Mr. Augsten got the idea back in 1935 and, during the first year, repaired 4653 receivers and installed 2861 auto radios with the aid of an assistant, and his wife who acted as bookkeeper. The company now occupies larger quarters and employs five "doctors" and two "nurses." When a call comes in to pick up a "radio patient," a uniformed interne driving a white radio ambulance, as pictured herewith, speeds from the "hospital" to the location and takes out the "sick" set on a stretcher. The entire personnel wears white doctors' and nurses' uniforms and we'll bet they have more darn fun!—*Photos Courtesy RCA.*